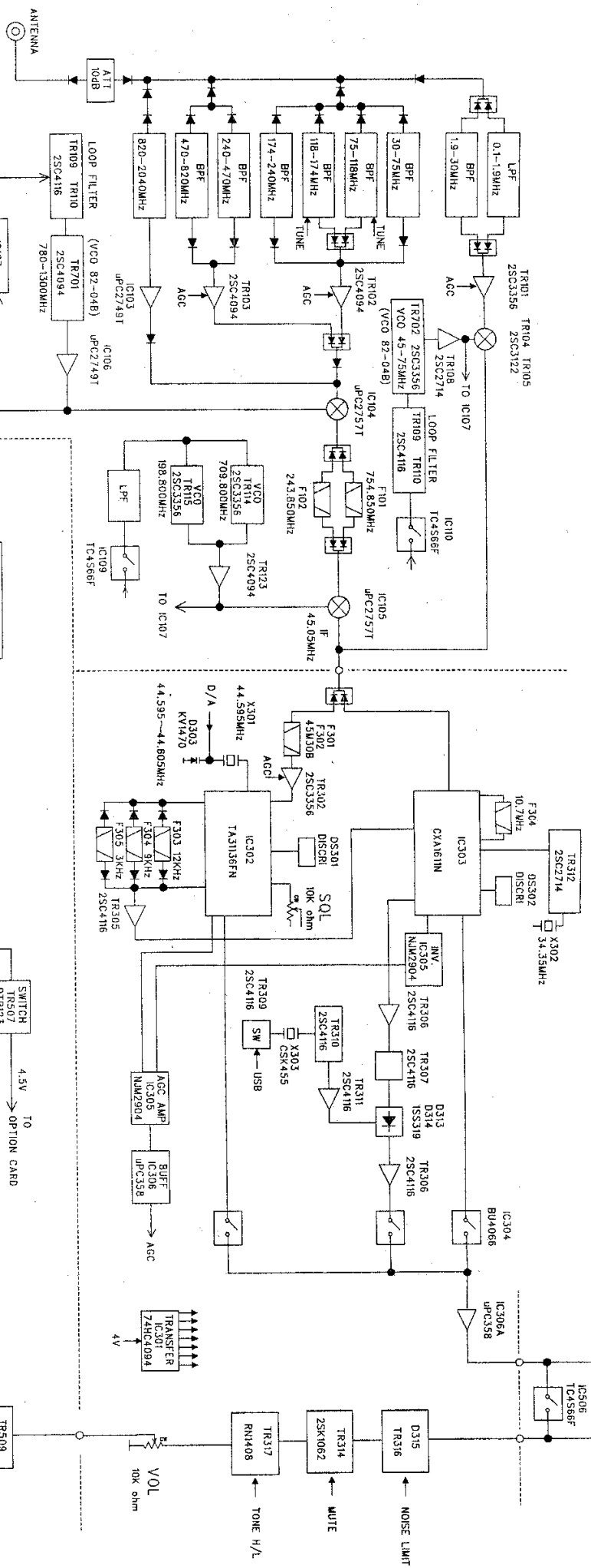


# BLOCK DIAGRAM

## RF (82-01B)

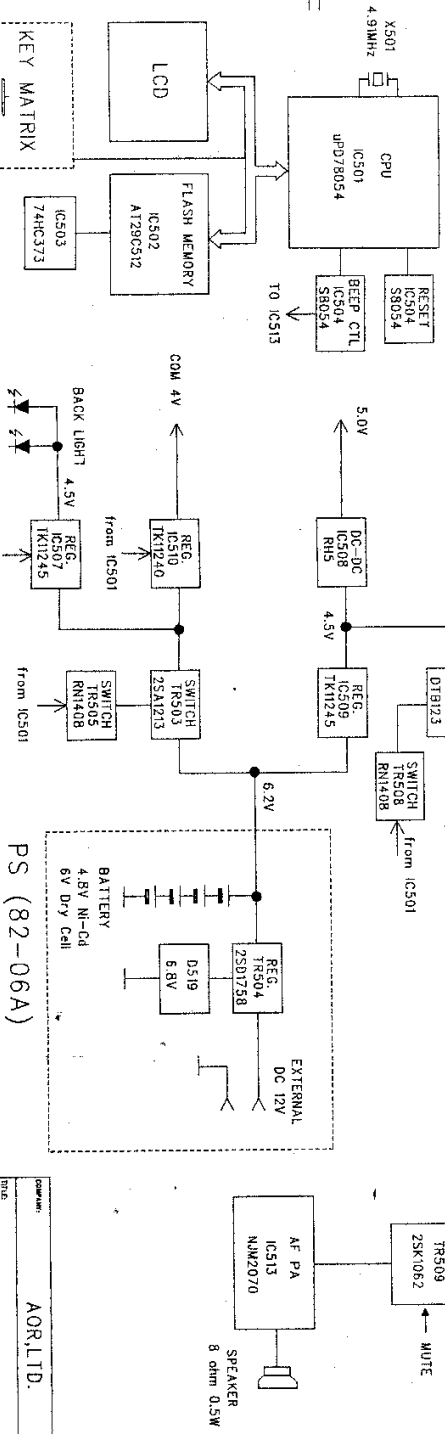
## IF (82-02A)



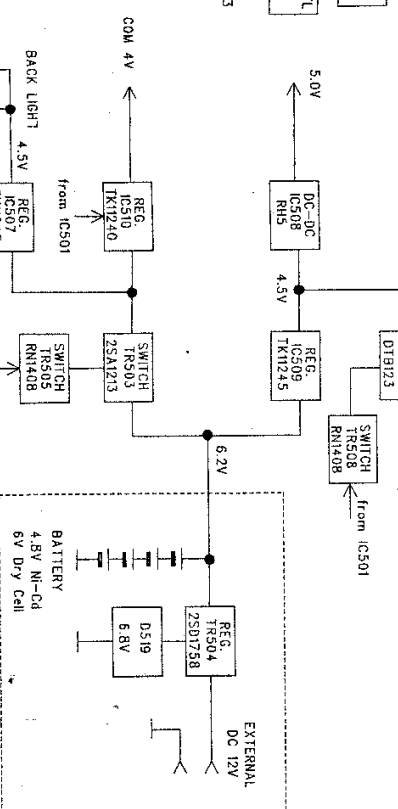
## FREQUENCY CONFIGURATION

RX FREQ.	1st IF	VCO FREQ.
0.1 - 30MHz	45.150	75.050MHz
30 - 540MHz	75.850MHz	129.850MHz
540 - 1040MHz	243.850MHz	783.850MHz
1040 - 1540MHz	754.850MHz	1285.150MHz
1540 - 2040MHz	1285.150MHz	1785.150MHz

## CPU (82-03A)

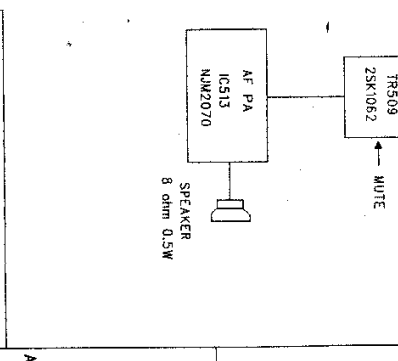


## PS (82-06A)

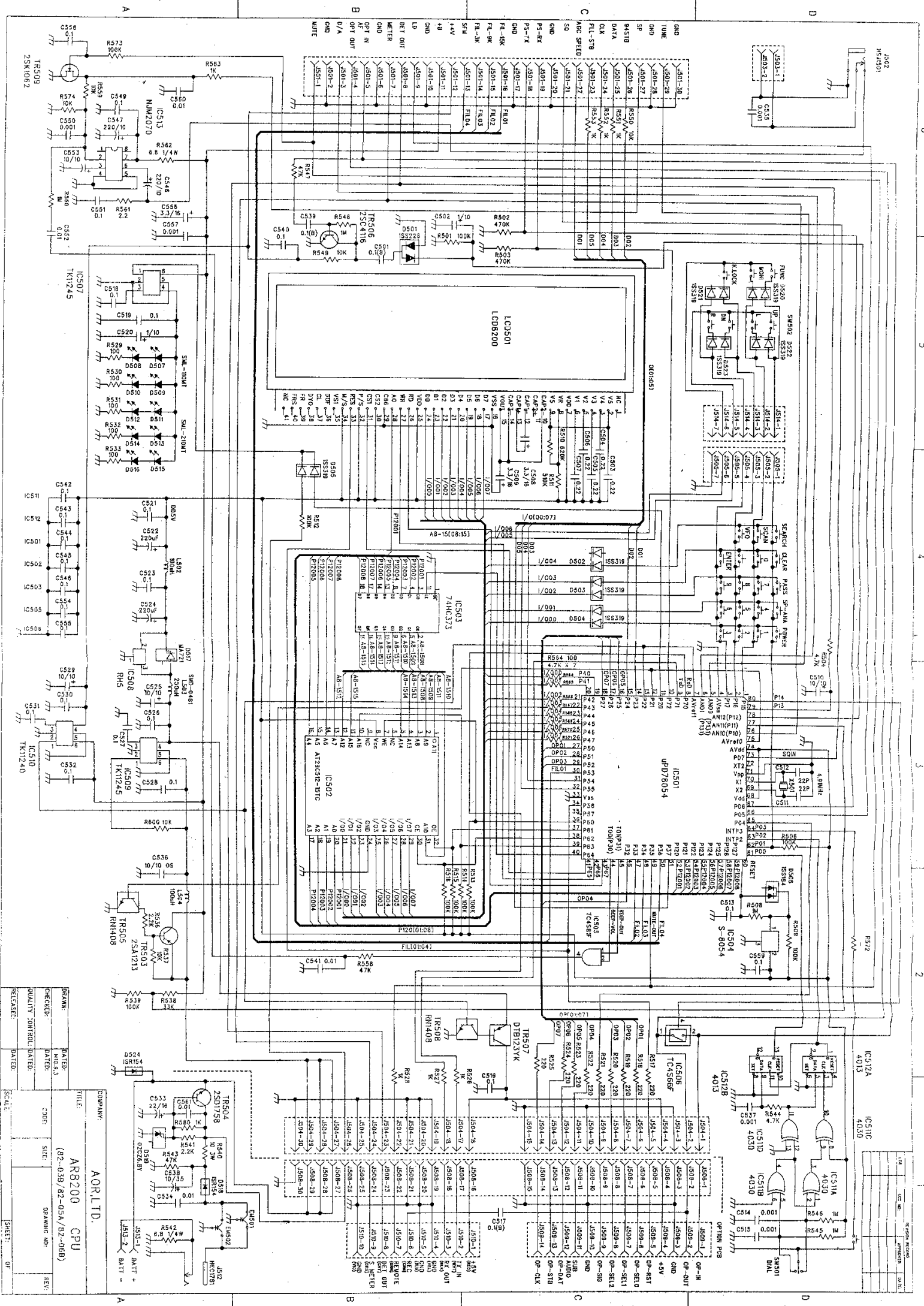


NAME	DATE	SCALE
AR8200	1998.12.28	1:1
DESIGNER	DATE	SCALE
CHECKER	DATE	SCALE
QUALITY CONTROL	DATE	SCALE
REVISION	DATE	SCALE

## AOR.LTD.



ITEM	DESCRIPTION	DATE

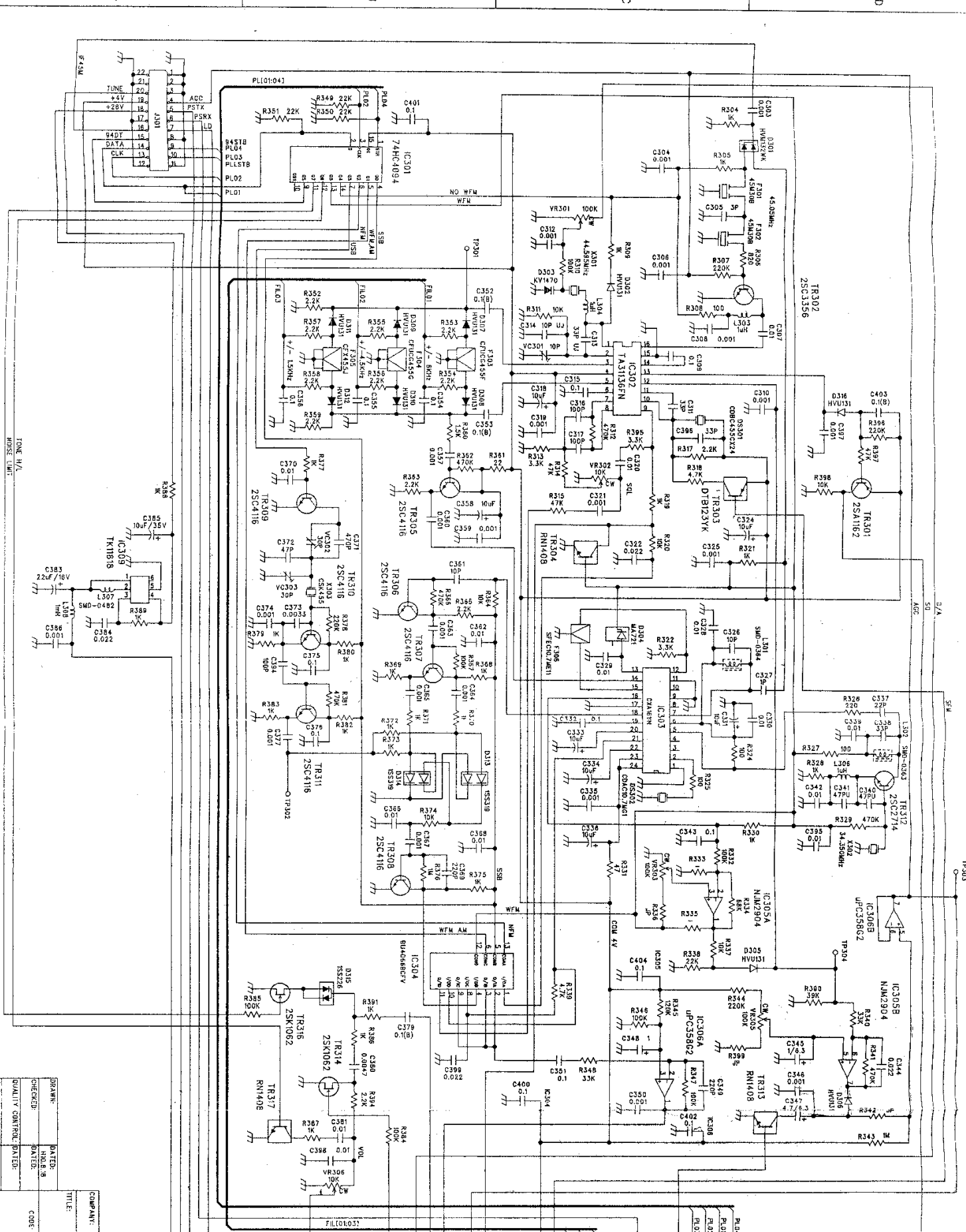


EQUIPMENT: AORLTD.  
 TITLE: AR8200 CPU  
 (82-039/82-054/82-068)  
 DRAWN: H.Q.S.  
 CHECKED: H.Q.S.  
 QUALITY CONTROL: DATED: \_\_\_\_\_  
 RELEASED: \_\_\_\_\_  
 DATE: \_\_\_\_\_  
 SHEET: \_\_\_\_\_ OF \_\_\_\_\_

A  
 B  
 C  
 D

1  
 2  
 3  
 4  
 5

25K1062  
 TR509  
 IC507  
 IC510  
 IC509  
 IC508  
 IC506  
 IC505  
 IC504  
 IC503  
 IC502  
 IC501  
 IC500  
 IC499  
 IC498  
 IC497  
 IC496  
 IC495  
 IC494  
 IC493  
 IC492  
 IC491  
 IC490  
 IC489  
 IC488  
 IC487  
 IC486  
 IC485  
 IC484  
 IC483  
 IC482  
 IC481  
 IC480  
 IC479  
 IC478  
 IC477  
 IC476  
 IC475  
 IC474  
 IC473  
 IC472  
 IC471  
 IC470  
 IC469  
 IC468  
 IC467  
 IC466  
 IC465  
 IC464  
 IC463  
 IC462  
 IC461  
 IC460  
 IC459  
 IC458  
 IC457  
 IC456  
 IC455  
 IC454  
 IC453  
 IC452  
 IC451  
 IC450  
 IC449  
 IC448  
 IC447  
 IC446  
 IC445  
 IC444  
 IC443  
 IC442  
 IC441  
 IC440  
 IC439  
 IC438  
 IC437  
 IC436  
 IC435  
 IC434  
 IC433  
 IC432  
 IC431  
 IC430  
 IC429  
 IC428  
 IC427  
 IC426  
 IC425  
 IC424  
 IC423  
 IC422  
 IC421  
 IC420  
 IC419  
 IC418  
 IC417  
 IC416  
 IC415  
 IC414  
 IC413  
 IC412  
 IC411  
 IC410  
 IC409  
 IC408  
 IC407  
 IC406  
 IC405  
 IC404  
 IC403  
 IC402  
 IC401  
 IC400  
 IC399  
 IC398  
 IC397  
 IC396  
 IC395  
 IC394  
 IC393  
 IC392  
 IC391  
 IC390  
 IC389  
 IC388  
 IC387  
 IC386  
 IC385  
 IC384  
 IC383  
 IC382  
 IC381  
 IC380  
 IC379  
 IC378  
 IC377  
 IC376  
 IC375  
 IC374  
 IC373  
 IC372  
 IC371  
 IC370  
 IC369  
 IC368  
 IC367  
 IC366  
 IC365  
 IC364  
 IC363  
 IC362  
 IC361  
 IC360  
 IC359  
 IC358  
 IC357  
 IC356  
 IC355  
 IC354  
 IC353  
 IC352  
 IC351  
 IC350  
 IC349  
 IC348  
 IC347  
 IC346  
 IC345  
 IC344  
 IC343  
 IC342  
 IC341  
 IC340  
 IC339  
 IC338  
 IC337  
 IC336  
 IC335  
 IC334  
 IC333  
 IC332  
 IC331  
 IC330  
 IC329  
 IC328  
 IC327  
 IC326  
 IC325  
 IC324  
 IC323  
 IC322  
 IC321  
 IC320  
 IC319  
 IC318  
 IC317  
 IC316  
 IC315  
 IC314  
 IC313  
 IC312  
 IC311  
 IC310  
 IC309  
 IC308  
 IC307  
 IC306  
 IC305  
 IC304  
 IC303  
 IC302  
 IC301  
 IC300  
 IC299  
 IC298  
 IC297  
 IC296  
 IC295  
 IC294  
 IC293  
 IC292  
 IC291  
 IC290  
 IC289  
 IC288  
 IC287  
 IC286  
 IC285  
 IC284  
 IC283  
 IC282  
 IC281  
 IC280  
 IC279  
 IC278  
 IC277  
 IC276  
 IC275  
 IC274  
 IC273  
 IC272  
 IC271  
 IC270  
 IC269  
 IC268  
 IC267  
 IC266  
 IC265  
 IC264  
 IC263  
 IC262  
 IC261  
 IC260  
 IC259  
 IC258  
 IC257  
 IC256  
 IC255  
 IC254  
 IC253  
 IC252  
 IC251  
 IC250  
 IC249  
 IC248  
 IC247  
 IC246  
 IC245  
 IC244  
 IC243  
 IC242  
 IC241  
 IC240  
 IC239  
 IC238  
 IC237  
 IC236  
 IC235  
 IC234  
 IC233  
 IC232  
 IC231  
 IC230  
 IC229  
 IC228  
 IC227  
 IC226  
 IC225  
 IC224  
 IC223  
 IC222  
 IC221  
 IC220  
 IC219  
 IC218  
 IC217  
 IC216  
 IC215  
 IC214  
 IC213  
 IC212  
 IC211  
 IC210  
 IC209  
 IC208  
 IC207  
 IC206  
 IC205  
 IC204  
 IC203  
 IC202  
 IC201  
 IC200  
 IC199  
 IC198  
 IC197  
 IC196  
 IC195  
 IC194  
 IC193  
 IC192  
 IC191  
 IC190  
 IC189  
 IC188  
 IC187  
 IC186  
 IC185  
 IC184  
 IC183  
 IC182  
 IC181  
 IC180  
 IC179  
 IC178  
 IC177  
 IC176  
 IC175  
 IC174  
 IC173  
 IC172  
 IC171  
 IC170  
 IC169  
 IC168  
 IC167  
 IC166  
 IC165  
 IC164  
 IC163  
 IC162  
 IC161  
 IC160  
 IC159  
 IC158  
 IC157  
 IC156  
 IC155  
 IC154  
 IC153  
 IC152  
 IC151  
 IC150  
 IC149  
 IC148  
 IC147  
 IC146  
 IC145  
 IC144  
 IC143  
 IC142  
 IC141  
 IC140  
 IC139  
 IC138  
 IC137  
 IC136  
 IC135  
 IC134  
 IC133  
 IC132  
 IC131  
 IC130  
 IC129  
 IC128  
 IC127  
 IC126  
 IC125  
 IC124  
 IC123  
 IC122  
 IC121  
 IC120  
 IC119  
 IC118  
 IC117  
 IC116  
 IC115  
 IC114  
 IC113  
 IC112  
 IC111  
 IC110  
 IC109  
 IC108  
 IC107  
 IC106  
 IC105  
 IC104  
 IC103  
 IC102  
 IC101  
 IC100  
 IC99  
 IC98  
 IC97  
 IC96  
 IC95  
 IC94  
 IC93  
 IC92  
 IC91  
 IC90  
 IC89  
 IC88  
 IC87  
 IC86  
 IC85  
 IC84  
 IC83  
 IC82  
 IC81  
 IC80  
 IC79  
 IC78  
 IC77  
 IC76  
 IC75  
 IC74  
 IC73  
 IC72  
 IC71  
 IC70  
 IC69  
 IC68  
 IC67  
 IC66  
 IC65  
 IC64  
 IC63  
 IC62  
 IC61  
 IC60  
 IC59  
 IC58  
 IC57  
 IC56  
 IC55  
 IC54  
 IC53  
 IC52  
 IC51  
 IC50  
 IC49  
 IC48  
 IC47  
 IC46  
 IC45  
 IC44  
 IC43  
 IC42  
 IC41  
 IC40  
 IC39  
 IC38  
 IC37  
 IC36  
 IC35  
 IC34  
 IC33  
 IC32  
 IC31  
 IC30  
 IC29  
 IC28  
 IC27  
 IC26  
 IC25  
 IC24  
 IC23  
 IC22  
 IC21  
 IC20  
 IC19  
 IC18  
 IC17  
 IC16  
 IC15  
 IC14  
 IC13  
 IC12  
 IC11  
 IC10  
 IC9  
 IC8  
 IC7  
 IC6  
 IC5  
 IC4  
 IC3  
 IC2  
 IC1



COMPANY:	AOR.LTD.
TITLE:	AR8200 IF (82-02A)
DATE:	
DESIGNED BY:	
CHECKED BY:	
DATE:	
QUALITY CONTROL:	
DATE:	
SCALE:	
SHEET:	OF

1  
2  
3  
4  
5

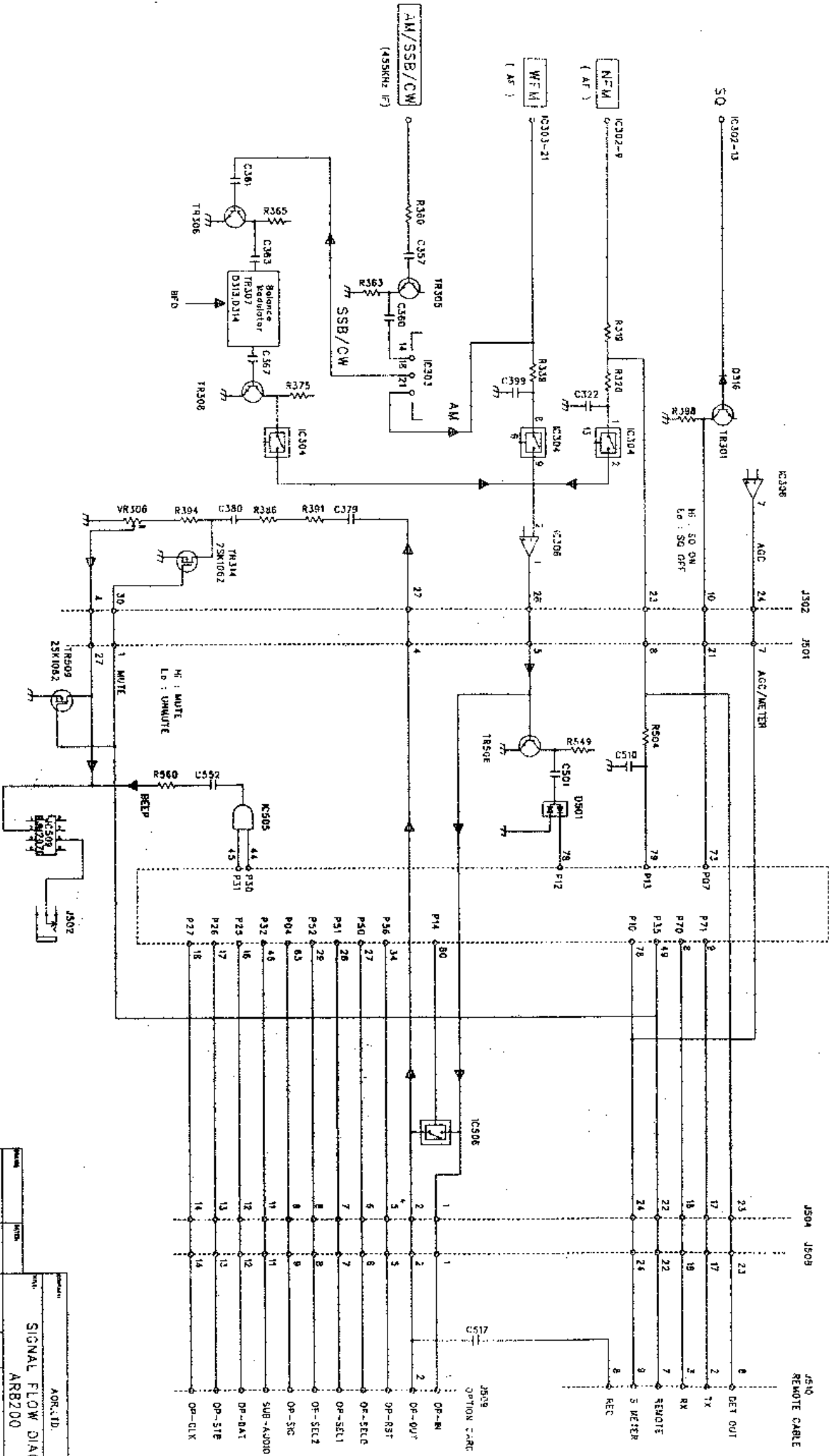


REV	DATE	BY	CHKD

IF (82-02A)

CPU (82-03A)

PS (82-06A)



SIGNAL FLOW DIAGRAM	
NO.:	ADR: JTD
ARR200	
DATE:	BY:
CHKD:	APPV:
REVISION:	DATE:

